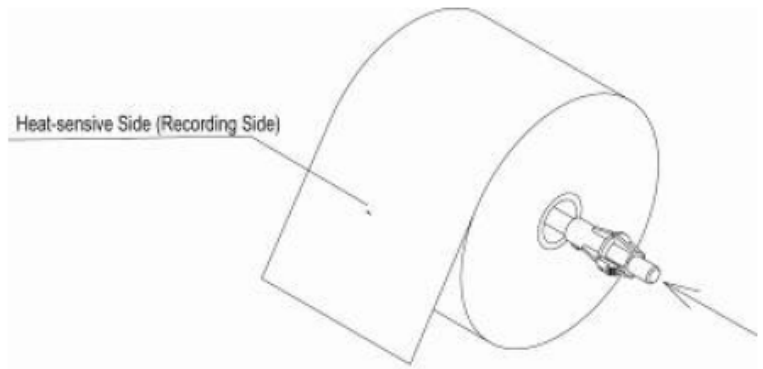
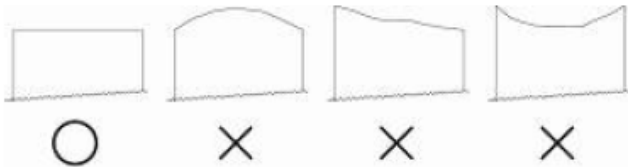


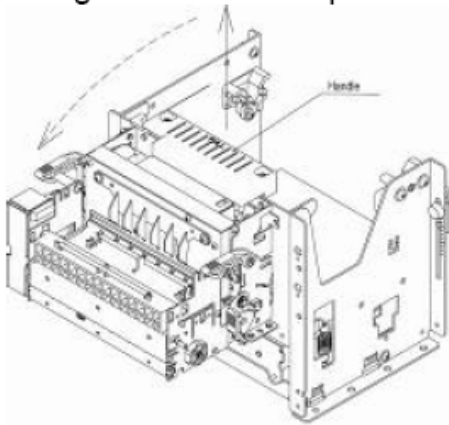
Assembly – Paper Roll Setup Continued

Once the paper roll holder is properly configured for the roll to be used, simply insert the roll holder into the paper core as show.

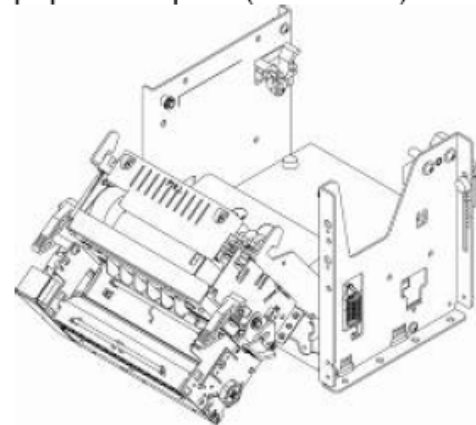
Be sure that the cut end of the paper roll is properly cut to ensure proper paper loading.



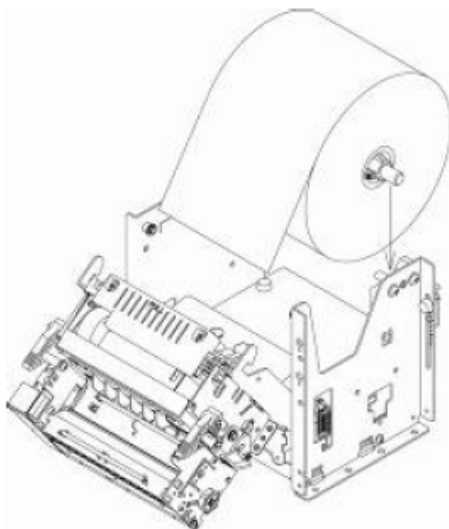
To aid in the installation of the paper roll, the TUP900's mechanism is hinged to the base of the printer allowing the unit to fold open for easier access to the paper inlet path (see below)



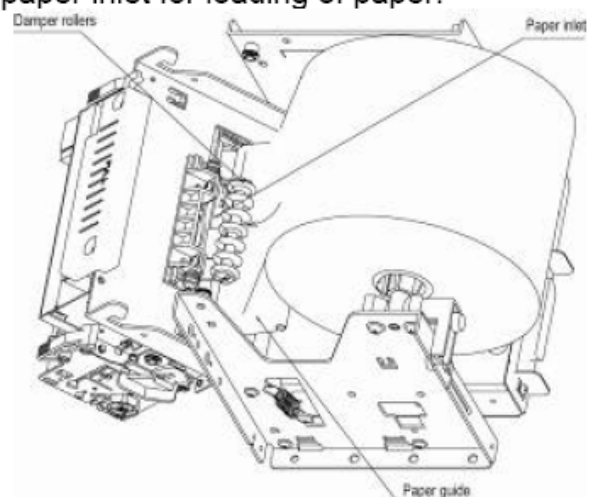
Lift handle and pull unit forward.



In this position, it will be much easier to access the paper inlet for loading of paper.



Position the paper roll as shown.



Slide the cut end of the paper roll into the paper inlet being careful to feed the paper underneath the damper rollers.

NOTE: The semi-auto paper loading of the TUP900 can sometimes cause the printer to enter an error condition if paper is not allowed to feed smoothly into the paper inlet path. In the event of an error, reset the printer by turning the power switch OFF and then ON again.