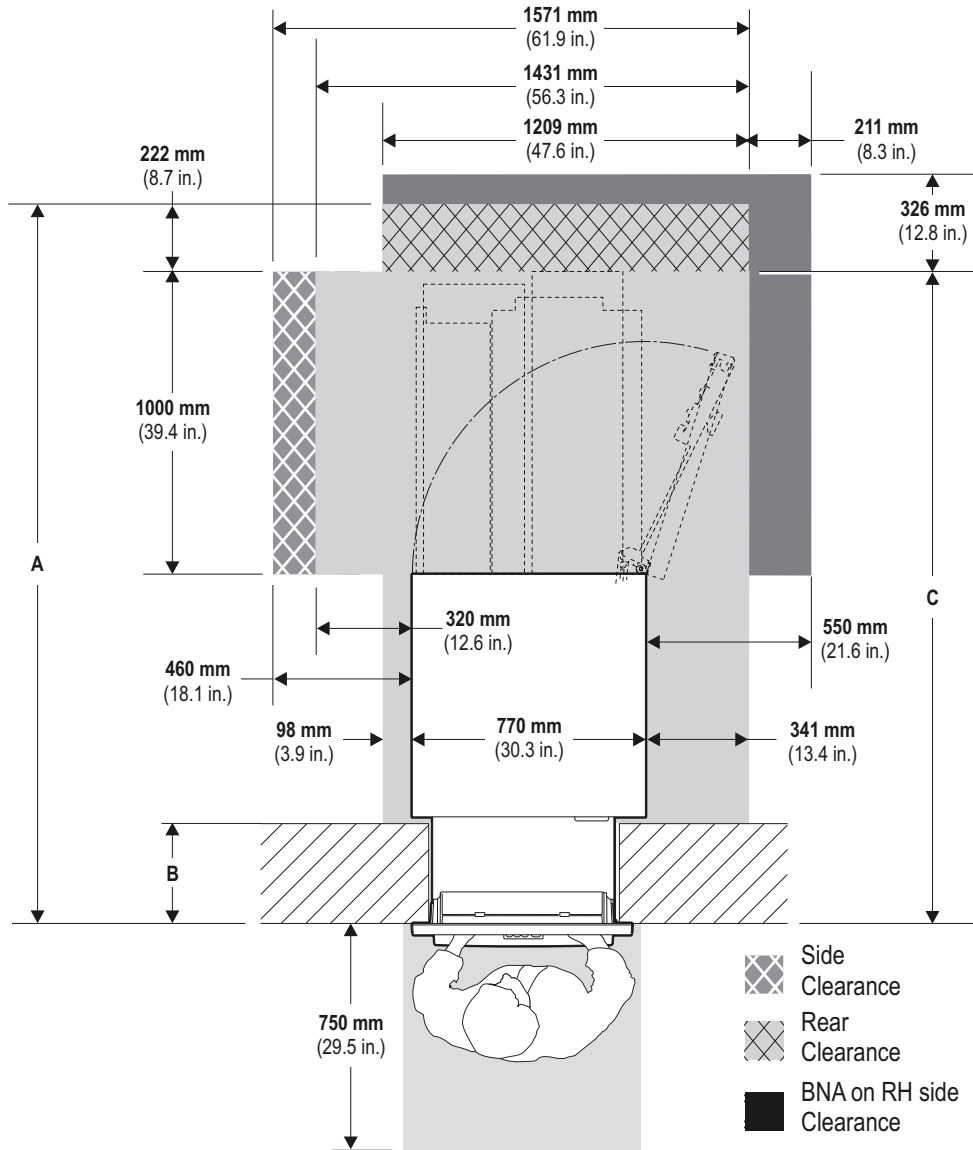


NCR SS34 Minimum Clearance

The following information shows the minimum clearance for an installation of a walk-up or drive-up ATM configured with a UL or CEN security enclosure.



	Walk-Up - Standard, Advert or Open Advert Collar		Walk-up with ADA Collar		Drive-Up	
	Std. Sleeve	Short Sleeve	Std. Sleeve	Short Sleeve	Std. Sleeve	Short Sleeve
A	2377 mm (93.6 in.)	2264 mm (89.13 in.)	2323 mm (91.5 in.)	2210 mm (87.0 in.)	2323 mm (91.5 in.)	2209 mm (87.0 in.)
B	330 mm (13.0 in.)	203 mm (8.0 in.)	292 mm (11.5 in.)	178 mm (7.0 in.)	287 mm (11.3 in.)	165 mm (6.5 in.)

	Walk-Up - Standard, Advert or Open Advert Collar		Walk-up with ADA Collar		Drive-Up	
	Std. Sleeve	Short Sleeve	Std. Sleeve	Short Sleeve	Std. Sleeve	Short Sleeve
C	2155 mm (84.8 in.)	2042 mm (80.4 in.)	2101 mm (82.7 in.)	1988 mm (78.3 in.)	2101 mm (82.7 in.)	1987 mm (78.2 in.)

Note 1: Side clearance is required for servicing the GBNA or GBRU cash acceptor (notes inserted into the module long edge first); it is not required for the BNA2 cash acceptor (notes inserted into the module short edge first).

Note 2: Rear clearance should be used when upgrading to any cash acceptor. However, if this space is not available then upgrade time will increase by approximately four hours.

Note 3: When replacing a 5886 with a SelfServ 34, **35 mm** (1.4 in.) extra space is gained on the right hand side because the SelfServ 34 is smaller.

Note 4: If a BNA is to be installed on the right hand side of the ATM then the extra clearance marked on the illustration is required.